



# 高速电子套结机

ZJ1900B, ZJ1901B ZJ1902B, ZJ1903B

COMPUTER-CONTROLLED HIGH SPEED LOCKSTITCH BAR TACKING MACHINE

## 使用说明书

## 零件手册

OPERATION MANUAL

PARTS BOOK

中国·中捷缝纫机股份有限公司  
ZOJE SEWING MACHINE CO., LTD.

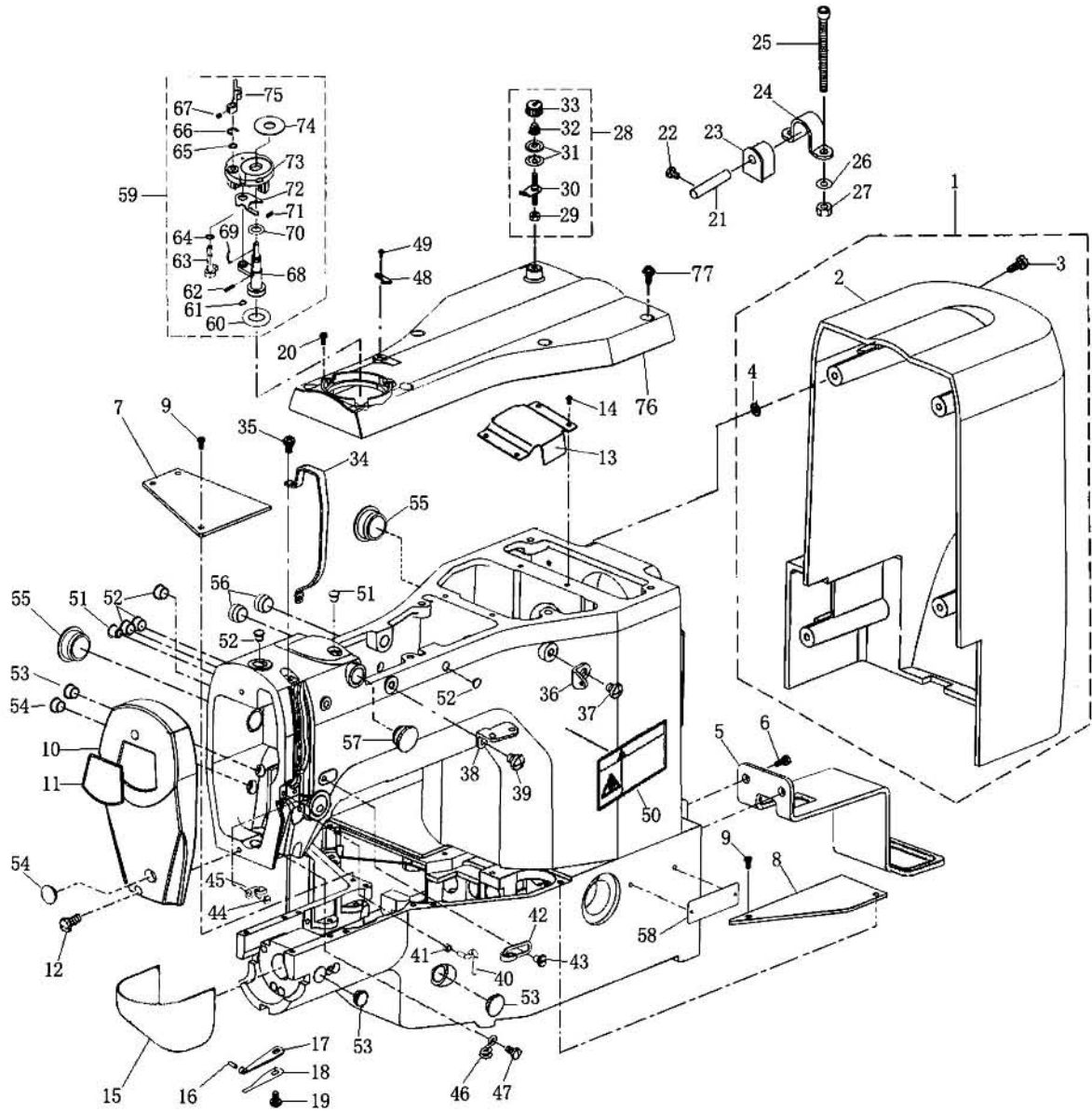
# CONTENTS

## 目 录

1. FRAME & MISCELLANEOUS COMPONENTS.....	1
机壳分组件	
2. MAIN SHAFT & NEEDLE BAR COMPONENTS.....	4
挑线刺布部件	
3. SHUTTLE DRIVER SHAFT COMPONENTS.....	7
下轴部件	
4. WIPER MECHANISM COMPONENTS.....	9
扫线部件	
5. TENSION RELEASE & THREAD TENSION COMPONENTS.....	11
松线部件	
6. TENSION RELEASE & THREAD TRIMMER MECHANISM COMPONENTS.....	13
剪线部件	
7. FEED MECHANISM COMPONENTS.....	15
送料部件	
8. TC CLAMP COMPONENTS.....	18
火线部件	
9. SENSOR COMPONENTS.....	20
自动控制部件	
10. THREAD STAND COMPONENTS.....	22
线架部件	
11. ACCESSORIE PART COMPONENTS.....	24
附件	
12. 1900B SERIES PARTS.....	26
1900B 系列机零件	
13. 1903B-301 PARTS 1.....	28
1903B-301 零件 1	
14. 1903B-301 PARTS 2.....	30
1903B-301 零件 2	
15. 1903B SERIES PARTS 1.....	32
1903B 系列机零件 1	
16. 1903B SERIES PARTS 2.....	34
1903B 系列机零件 2	

# 1.FRAME&MISCELLANEOUS CPVER COMPONENTS

## 机壳部件



## 1、机壳部件FRAME&MISCELLANEOUS COVER COMPONENTS

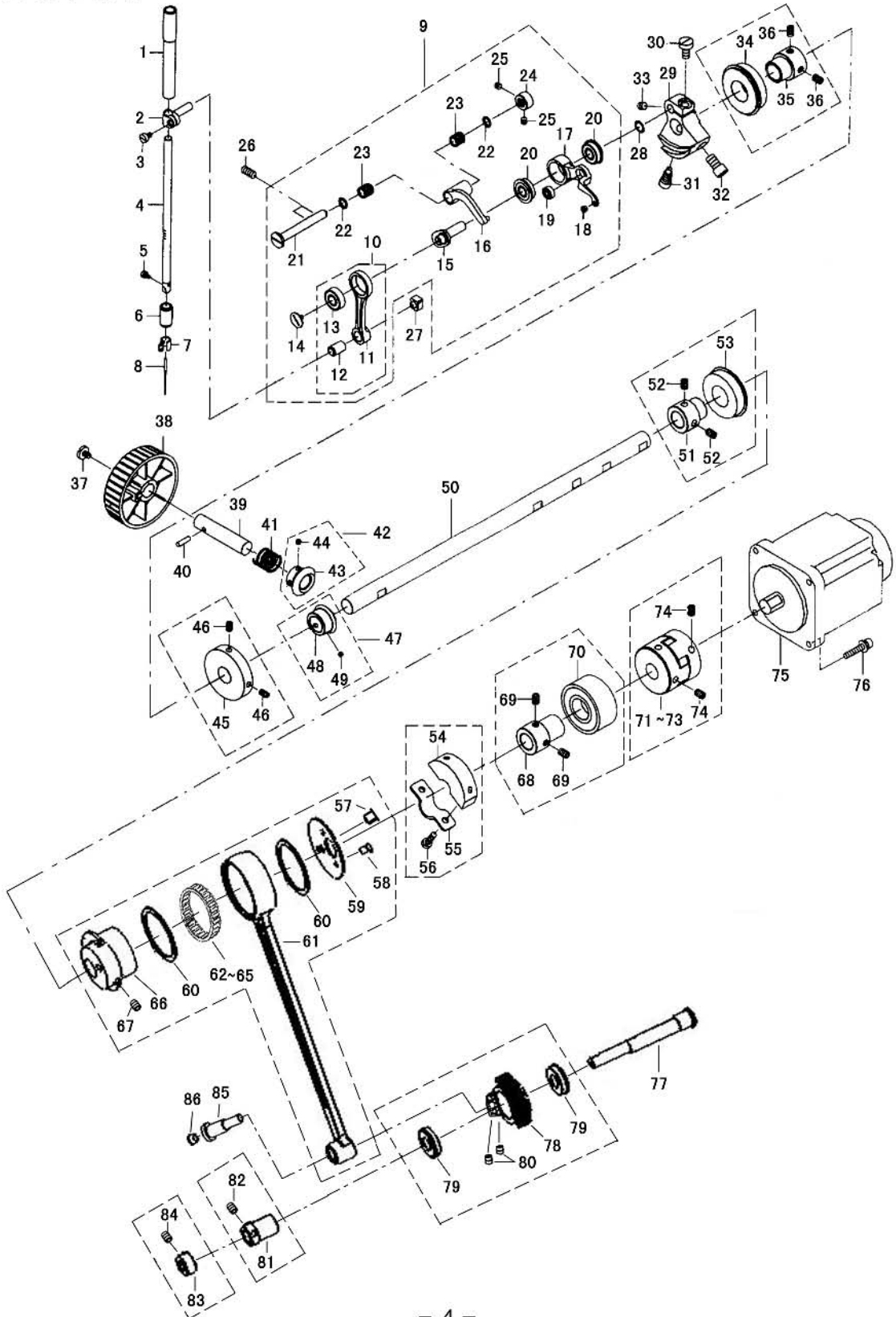
序号 Ref.No.	件号 Part No.	名称	Description	数量 QTY
1	20006929	后盖组件	MOTOR COVER ASM	1
2	20004107	后盖	MOTOR COVER	1
3	10011101	螺钉	SCREW	4
4	10011135	垫片	STOPPER	4
5	10008600	中线固定板	PROTECTION_PLATE	1
6	10011101	螺钉	SCREW	2
7	20004112	左盖板	BED COVER LEFT	1
8	20004113	右盖板	BED COVER RIGHT	1
9	10011142	螺钉	SCREW	5
10	20004104	面板	FACE COVER	1
11	10005468	面板装饰牌	PLATE	1
12	10011150	螺钉	SCREW	2
13	10014301	大连杆防护罩	CRANK ROD COVER	1
14	10010668	螺钉	SCREW	4
15	20001911	梭床罩	CYLINDER ARM CAP	1
16	10010815	销	PIN	1
17	10011420	梭床罩弹簧A	HOOK COVER PRESSER SPRING A	1
18	10010807	梭床罩弹簧B	HOOK COVER PRESSER SPRING B	1
19	10010808	螺钉	SCREW	1
20	10011101	螺钉	SCREW	3
21	10011141	销	PIN	2
22	10011232	螺钉	SCREW	2
23	10011137	机头胶垫	HINGE RUBBER	2
24	10011160	支撑固定架	BED HINGE	2
25	10011147	螺钉	SCREW	4
26	10003076	垫圈	WASHER	4
27	10003084	螺母	NUT	8
28	10011595	绕线火线圈	BOBBIN THREAD TENSION ASM	1
29	10004507	螺母	NUT	1
30	10004504	中过线板组件	BOBBIN THREAD TENSION ROD ASM	1
31	10004393	夹线板	THREAD TENSION DISK	2
32	10004391	弹簧	CONNECTING ROD SPRING	1
33	10004686	螺母	NUT	1
34	20003790	挑线杆防护罩	BALANCE COVER	1
35	10011143	螺钉	SCREW	2
36	10011145	单眼过线板	THREAD GUIDE NO. 1	1
37	10011158	螺钉	SCREW	1
38	10011200	上过线板	THREAD GUIDE PLATE	1
39	10011158	螺钉	SCREW	1
40	10011159	拦线钩	L-SHAPED THREAD GUIDE A	1
41	10011140	螺母	NUT	1
42	10008940	右线钩	ARM THREAD GUIDE A	1
43	10011142	螺钉	SCREW	1
44	10011142	螺钉	SCREW	1
45	10014281	中线钩	TAKE UP THREAD GUIDE B	1
46	10011139	下过线钩	ARM THREAD GUIDE B	1
47	10010668	螺钉	SCREW	1
48	10011149	绕线切刀	THREAD CUTTER	1
49	10011143	螺钉	SCREW	1
50	10008936	机头安全提示牌	SAFETY LABEL	1

### 1、机壳部件FRAME&MISCELLANEOUS COVER COMPONENTS

序号 Ref.No.	件号 Part No.	名 称	Description	数量 QTY
51	10011188	橡胶塞	RUBBER PLUG	2
52	10010587	橡胶塞	RUBBER PLUG	5
53	10011136	橡胶塞	RUBBER PLUG	4
54	10011099	橡胶塞	RUBBER PLUG	2
55	10011146	橡胶塞	RUBBER PLUG	2
56	10014279	橡胶塞	RUBBER PLUG	2
57	10011190	橡胶塞	RUBBER PLUG	1
58	10007967	型号牌	MACHINE COVER	1
59	20002101	绕线器	BOBBIN WINDER ASM	1
60	10004684	橡胶轮	RUBBER RING	1
61	10006142	挡圈	RETAINING RING	1
62	10004501	弹簧	SPRING	1
63	10006151	绕线定位块	BOBBIN WINDER REGULATOR	1
64	10004486	垫圈	WASHER	1
65	10004486	垫圈	WASHER	1
66	10013038	挡圈	E-RING	1
67	10000735	螺钉	SCREW	1
68	10004383	摆动板	BOBBIN WINDER SHAFT COMPL	1
69	10009937	弹簧	LATCH SPRING	1
70	10004485	O型圈	RUBBER RING	1
71	10004494	弹簧	SPRING	1
72	10004497	控制板	ADJUSTING PLATE	1
73	10011096	核心卷绕体组件	BOBBIN FITING BASIS COMPL	1
74	10004498	卷绕轮垫	CUSHING	1
75	10000736	卷绕手柄	BOBBIN LEVER	1
76	20004106	上盖	TOP COVER	1
77	10011161	螺钉	SCREW	6

## 2.MAIM SHAFT&NEEDLE BAR COMPONENTS

### 挑线刺布部件



## 2、挑线刺布部件MAIN SHAFT & NEEDLE BAR COMPONENTS

序号 Ref.No.	件号 Part No.	名称	Description	数量 QTY
1	10023528	轴套	NEEDLE ROD METAL	2
2	10010590	针杆连接柱	NEEDLE BAR CONNECTING COLUMN	2
3	10010643	螺钉	SCREW	1
4	10014277	针杆	NEEDLE BAR	1
5	10011699	螺钉	SCREW	1
6	10023529	轴套	NEEDLE ROD LOWER METAL	1
7	10011701	针杆线钩	THREAD GUIDE	1
8	10023286	机针	NEEDLE DP×5 #16	1
9	10021602	挑线杆组件	THREAD TAKE UP COMPL.	1
10	10007983	针杆连杆组件	NEEDLE BAR CRANK BOD ASM	1
11	10007986	针杆连杆	NEEDLE BAR CRANK ROD	1
12	10005793	针杆连杆轴套	NEEDLE BAR CRANK BOD METAL	1
13	10009777	轴承	BEARING	1
14	10010537	螺钉	SCREW	1
15	10008014	挑线曲柄	NEEDLE BAR CRANK	1
16	10007987	挑线连杆	THREAD TAKE UP CRANK	2
17	10007985	挑线杆	THREAD TAKE UP LEVER	1
18	10004161	挑线杆过线套	THREAD PASS BUSH	1
19	10003533	轴承	BEARING	1
20	10009776	轴承	BEARING	2
21	10007984	挑线连杆销	BALANCE CRANK PIN	1
22	10005786	挡圈	THRUST COLLAR	2
23	10005747	轴承	BEARING	2
24	10005745	挡圈	THRUST COLLAR	1
25	10004482	螺钉	SCREW	2
26	10011232	螺钉	SCREW	2
27	10011194	针杆连接柱滑块	SQUARE BLOCK	1
28	10011622	挡圈	THRUST COLLAR	1
29	10014283	针杆曲柄	COUNTER EIGHT	1
30	10014272	螺钉	SCREW	1
31	10014282	螺钉	SCREW	1
32	10014284	螺钉	SCREW	1
33	10011232	螺钉	SCREW	1
34	10003467	轴承	BEARING	1
35	10014280	二轴前轴套	BEARING BUSH A	1
36	10010678	螺钉	SCREW	2
37	10011225	螺钉	SCREW	1
38	10011603	手轮	PULLEY	1
39	10011231	手轮轴	HAND PULLEY SHAFT	1
40	10006073	销	PIN	1
41	10011242	弹簧	SPRING	1
42	10021312	弧齿锥齿轮组件_手轮轴	GEAR ASM.	1
43	10011235	齿轮	GEAR	1
44	10011226	螺钉	SCREW	2
45	10002392	绕线主动轮	BTW DRIVING WHEEL	1
46	10011223	螺钉	SCREW	2
47	10027407	二轴齿轮组件	GEAR ASM.	1
48	10002413	齿轮	GEAR	1
49	10011226	螺钉	SCREW	2
50	10014278	二轴	MAIN SHAFT	1

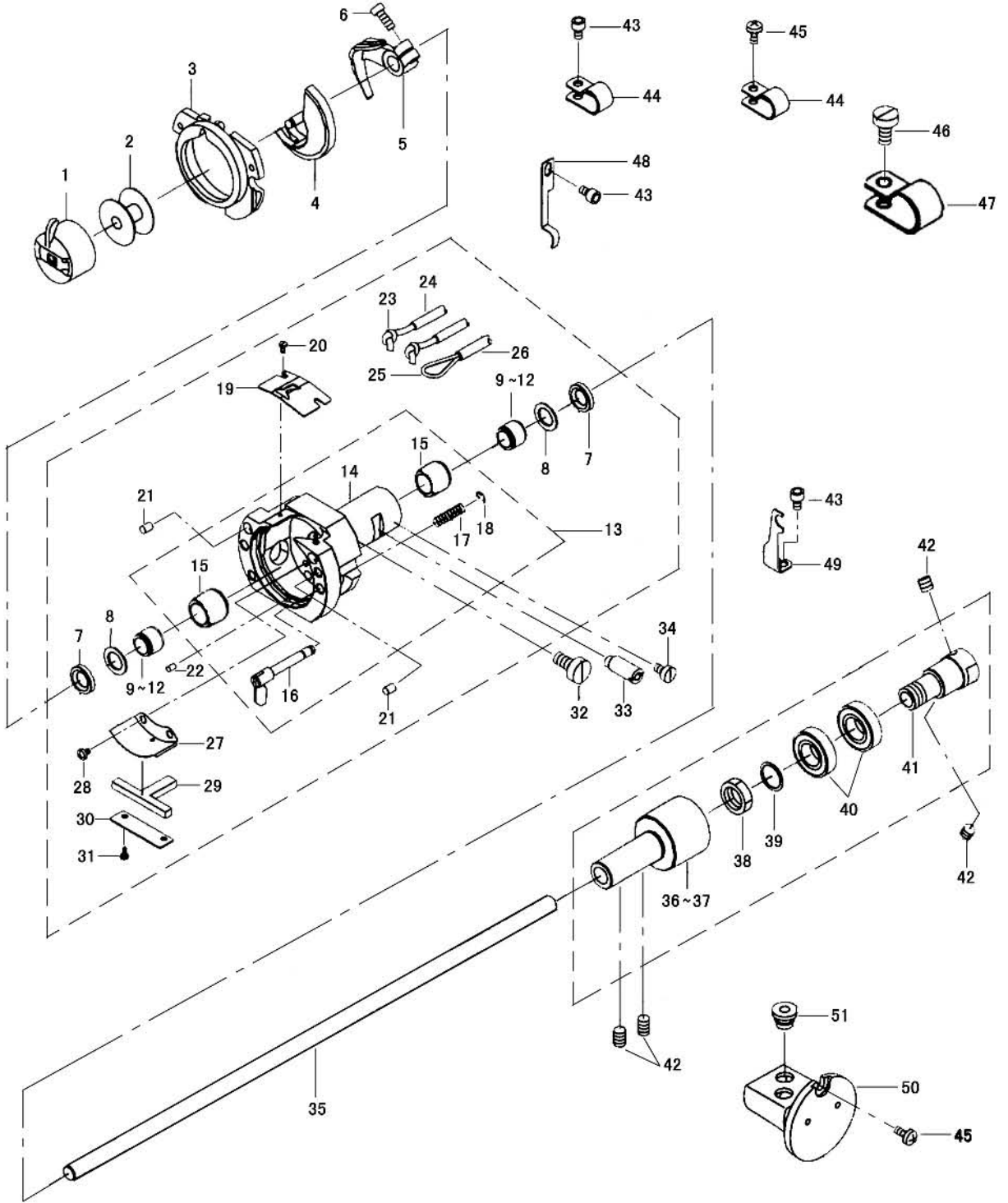
## 2、挑线刺布部件MAIN SHAFT & NEEDLE BAR COMPONENTS

序号 Ref.No.	件号 Part No.	名称	Description	数量 QTY
51	10014362	轴承衬套	BEARING BUSH B	1
52	10010678	螺钉	SCREW	2
53	10003547	轴承	BEARING	1
54	10014337	二轴平衡轮	CRANK BALANCER	1
55	10014332	二轴平衡轮固定板	CRANK BALANCER FIX PLATE	1
56	10011644	螺钉	SCREW	2
57	10014266	橡胶塞	PUBBER PLUG	1
58	10009626	螺钉	SCREW	3
59	10014268	大连杆滚针轴承盖板	CRANK ROD SUPPORT PLATE	1
60	10014269	挡圈	THRUST COLLAR	2
61	10014270	大连杆	CRANK ROD	1
62	10023508	轴承	BEARING	1
63	10023509	轴承	BEARING	1
64	10023510	轴承	BEARING	1
65	10023511	轴承	BEARING	1
66	10014265	偏心轮	ECCENTRIC WHEEL	1
67	10009187	螺钉	SCREW	2
68	10014264	二轴后轴承套	BEARING BUSH C	1
69	10010678	螺钉	SCREW	2
70	10025863	轴承	BEARING	1
71	10012613	联轴器	COUPLING	1
72	10011227	传动连接橡胶块	RELAX	1
73	10012615	联轴器	COUPLING	1
74	10009187	螺钉	SCREW	4
75	10024981	二轴电机	AC SERVO MOTOR	1
76	10000157	螺钉	SCREW	4
77	10008551	销	PIN	1
78	10008790	齿轮	GEAR	1
79	10003533	轴承	BEARING	2
80	10011232	螺钉	SCREW	2
81	10025296	挡圈	THRUST COLLAR	1
82	10013590	螺钉	SCREW	2
83	10004600	挡圈	THRUST COLLAR	1
84	10013590	螺钉	SCREW	2
85	10014333	销	PIN	1
86	10011188	橡胶塞	PUBBER PLUG	1



### 3.SHUTTLE DRIVER SHAFT COMPONENTS

#### 下轴部件

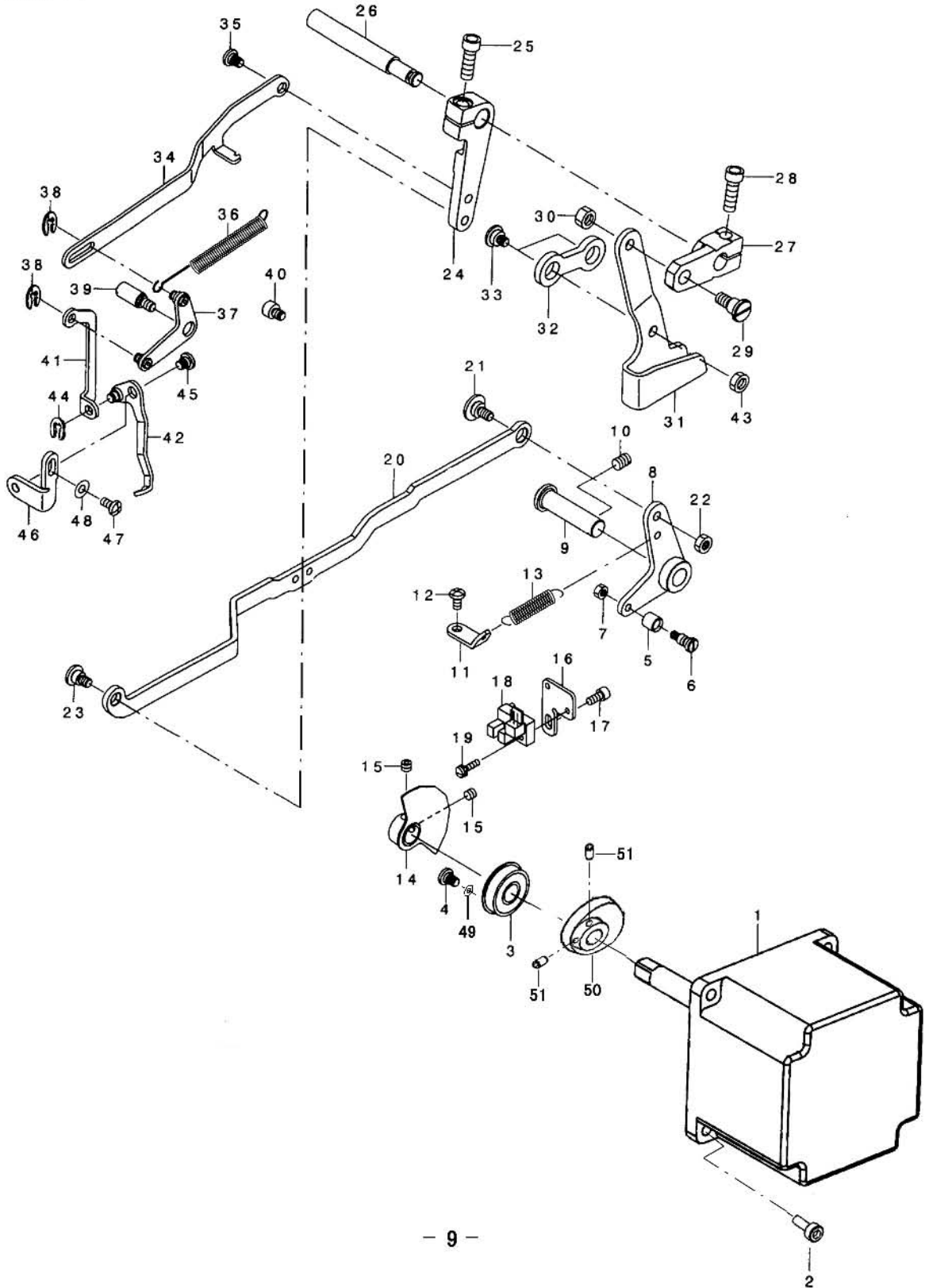


### 3、下轴部件SHUTTLE DRIVER SHAFT COMPONENTS

序号 Ref.No.	件号 Part No.	名称	Description	数量 QTY
1	10003781	梭壳	BOBBIN CASE ASM	1
2	10004592	锁芯	BOBBIN	1
3	10010738	梭床盖组件	SHUTTLE RACE RING ASM	1
4	10025068	摆梭	INNER HOOK	1
5	10004609	摆梭托	SHUTTLE DRIVER	1
6	10004611	螺钉	SCREW	1
7	10014297	油封	SHUTTLE OIL SEAL	2
8	10014295	挡圈	SHUTTLE BEARING RING	2
9	10023516	轴承	BEARING	2
10	10023517	轴承	BEARING	2
11	10023518	轴承	BEARING	2
12	10023519	轴承	BEARING	2
13	10022792	梭床小组件	SHUTTLE ASM.	1
14	10014248	梭床	SHUTTLE	1
15	10008576	梭床衬套	SHUTTLE BUSH	1
16	10004261	梭床锁紧钩组件	INNER HOOK PRESSER ASM.	2
17	10004195	弹簧	SPRING	2
18	10009669	挡圈	E-RING	2
19	10004596	梭床簧	SHUTTLE UPPER SPRING	1
20	10010744	螺钉	SCREW	2
21	10011077	毡垫	SHUTTLE OIL FELT	2
22	10011427	毡垫	SHUTTLE OIL FELT	1
23	10008103	油线	OIL WICK	2
24	10007795	油管	VINYL PIPE	2
25	10008103	油线	OIL WICK	1
26	10007795	油管	OIL TUBE	1
27	10007926	油线夹板	SHUTTLE LUBRICATING PLATE	1
28	10010797	螺钉	SCREW	2
29	10010800	毡垫	SHUTTLE ONCE THROUGH OIL FELT	1
30	10010799	毡垫压板	ONCE THROUGH OIL LFELT PRESSER	1
31	10010744	螺钉	SCREW	2
32	10010817	螺钉	SCREW	1
33	10011426	螺钉	SCREW	1
34	10011425	螺钉	SCREW	1
35	10014336	下轴	LOWER SHAFT	1
36	10023514	齿轮套	GEARED SLEEVE A	1
37	10023515	齿轮套	GEARED SLEEVE B	1
38	10014335	螺母	NUT	1
39	10014330	垫圈	WASHER	1
40	10012777	轴承	BEARING	2
41	10014329	齿轮	GEARED	1
42	10011232	螺钉	SCREW	4
43	10010685	螺钉	SCREW	3
44	10008228	SX-3A夹头	CABLE CLIP	3
45	10012892	螺钉	SCREW	3
46	10011101	螺钉	SCREW	1
47	10008229	SI. 12N夹头	CABLE CLIP	1
48	10014294	油管限位板	OIL_PIPE HOLDER	1
49	10014288	油管限位板	TUBE_CLAMP	1
50	10021601	油窗组件	OIL TANK ASM.	1
51	10014296	油塞	RUBBER BUSH	2

# 4. WIPER MECHANISM COMPONENTS

扫线部件

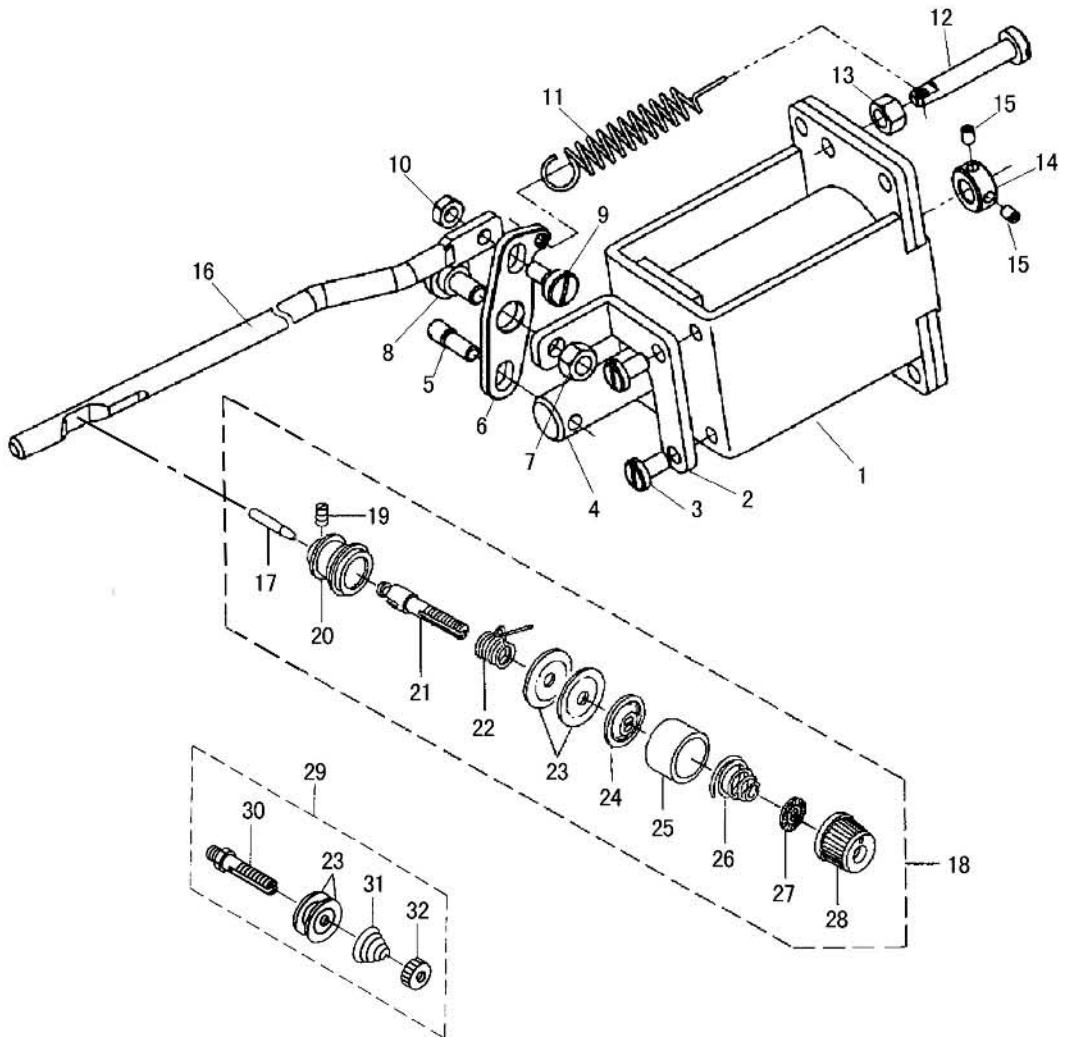


#### 4、扫线部件WIPE MECHANISM COMPONENTS

序号 Ref.No.	件号 Part No.	名称	Description	数量 QTY
1	10024982	抬压电机	PRESSER LIFTING MOTOR	1
2	10011644	螺钉	SCREW	4
3	10003601	轴承	BEARING	1
4	10010668	螺钉	SCREW	1
5	10028245	销套	NEEDLE CAM ROLLER A	1
6	10014342	销	LIFT CAM ROLLER SHAFT	1
7	10014354	螺母	NUT	1
8	10007998	抬压曲柄组件	LIFTER LINK A ASM	1
9	10014289	抬压曲柄轴	THREAD TRIMMER SHAFT	1
10	10011232	螺钉	SCREW	1
11	10014343	拉板	SIDE COVER THREAD GUIDE	1
12	10012892	螺钉	SCREW	1
13	10014356	弹簧	SPRING	1
14	10014293	抬压电机传感片组件	SENSOR SLIT	1
15	10011518	螺钉	SCREW	2
16	10014291	抬压传感器安装板	SENSOR_INSTALLING_BASE	1
17	10010668	螺钉	SCREW	1
18	10026622	抬压传感器	PHOTO SENSOR	1
19	10010667	螺钉组件	SCREW	1
20	10014351	抬压拉杆	LIFTER LINK B	1
21	10014344	螺钉	SCREW	1
22	10010725	螺母	NUT	1
23	10025297	螺钉	SCREW	1
24	10010679	接线曲柄	CONNECTING ARM	1
25	10010735	螺钉	SCREW	1
26	10011914	曲柄轴	CONNECTING SHAFT	1
27	10014340	抬压驱动曲柄	LOWERING ARM	1
28	10010735	螺钉	SCREW	1
29	10010674	螺钉	SCREW	1
30	10010725	螺母	NUT	1
31	10014355	抬压传动板	LOWERING FOOT	1
32	10010684	抬压脚定位连杆	CONNECTING LINK	1
33	10010727	螺钉	SCREW	2
34	10014346	扫线缓冲杆	WIPER CONNECTING LINK	1
35	10004594	螺钉	SCREW	1
36	10004604	弹簧	SPRING	1
37	10014352	扫线连接板组件	WIPER_CONNECTING_ARM_ASM	1
38	10009653	弹簧	RETAINING RING	2
39	10004601	螺钉	SCREW	1
40	10014345	螺钉	SCREW	1
41	10014353	扫线拉板	WIPER_CONNECTING_PLATE	1
42	10014348	扫线杆组件	WIPER C ASM	1
43	10010725	螺母	NUT	1
44	10009653	弹簧	RETAINING RING	1
45	10004593	螺钉	SCREW	1
46	10014341	扫线杆固定架	WIPER BASE PLATE	1
47	10004593	螺钉	SCREW	1
48	10009653	垫圈	WASHER	1
49	10010741	垫圈	WASHER	1
50	10014287	抬压凸轮	LIFT TO PRESS THE CAM	1
51	10011232	螺钉	SCREW	2

# 5.TENSION RELEASE&THREAD TENSION COMPONENTS

## 松线部件

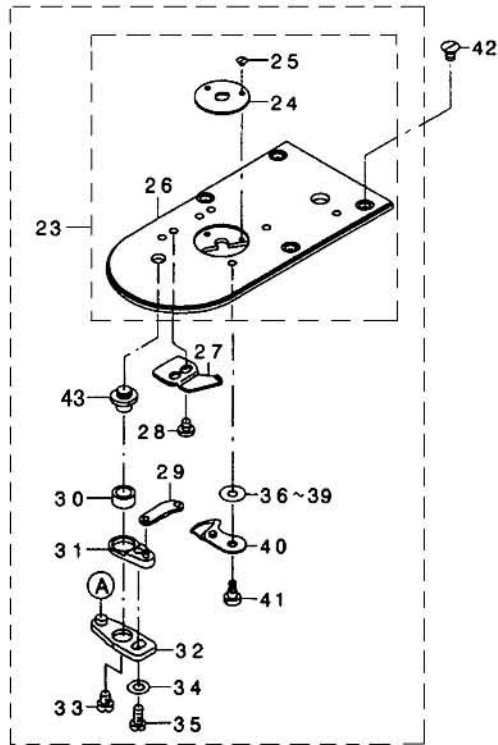
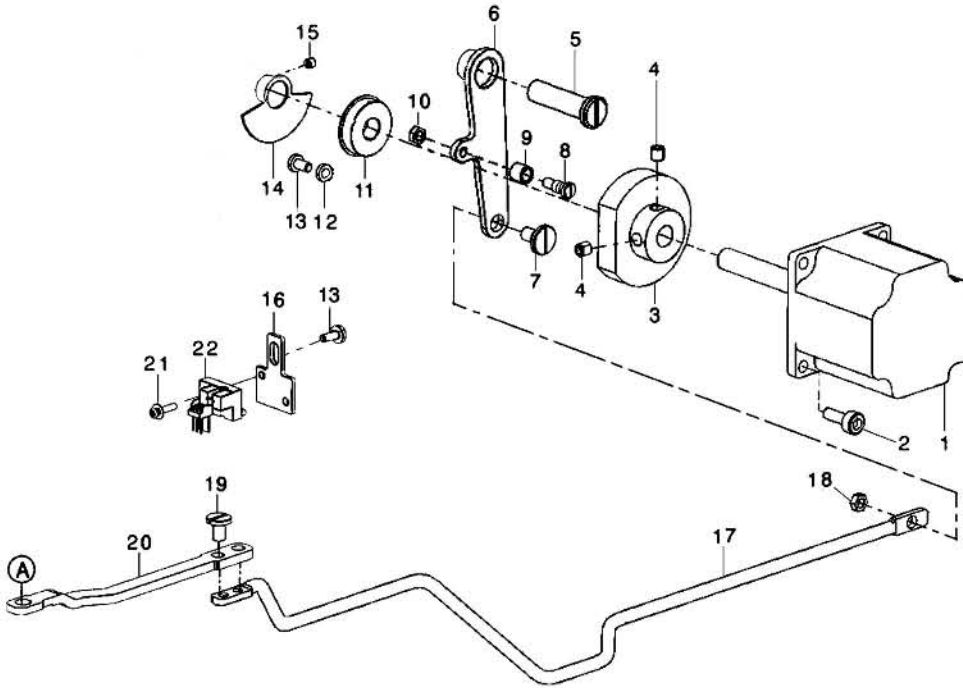


### 5、松线部件TENSION RELEASE&THREAD TENSION COMPONENTS

序号 Ref.No.	件号 Part No.	名 称	Description	数量 QTY
1	10008005	松线电磁铁线圈	LOOSE WIRE SOLENOID COIL	1
2	10014319	松线曲柄架	PINE LINE CRANK FRAME	1
3	10010668	螺钉	SCREW	2
4	10008029	松线电磁铁芯轴	PINE LINE SOLENOID MANDREL	1
5	10014320	螺钉	SCREW	1
6	10014316	松线曲柄	SONG LINE CRANK	1
7	10010133	螺母	NUT	1
8	10014317	螺钉	SCREW	1
9	10014299	螺钉	SCREW	1
10	10002076	螺母	NUT	1
11	10014356	弹簧	SPRING	1
12	10014323	螺钉	SCREW	1
13	10010133	螺母	NUT	1
14	10008025	挡圈	THRUST COLLAR	1
15	10002853	螺钉	SCREW	2
16	10008007	松线杆	TENSION RELEASE BAR	1
17	10008026	松线轴	TENSION RELEASE PIN	1
18	10014327	火纹器组件	SECOND THREAD TENSION ASM	1
19	10004632	螺钉	SCREW	1
20	10004631	火纹器座	THREAD TENSION ROD, LARGE	1
21	10004612	螺钉	SCREW	1
22	10004624	弹簧	SPRING	1
23	10004393	夹线板	THREAD TENSION DISK	4
24	10004625	松线板	THREAD TENSION DISK PRESSER	1
25	10004598	夹线簧座	THREAD TENSION DISK PRESSER	1
26	10004626	弹簧	SPRING	1
27	10004633	夹线制动板	ROTATING STOPPER	1
28	10004783	火纹螺母	THREAD TENSION NUT	1
29	10011493	夹线组件	FIRST THREAD TENSION ASM	1
30	10004666	螺钉	SCREW	1
31	10004669	弹簧	SPRING	1
32	10004664	火纹螺母	TENSION NUT	1

# 6. TENSION RELEASE & THREAD TRIMMER MECHANISM COMPONENTS

## 剪线部件



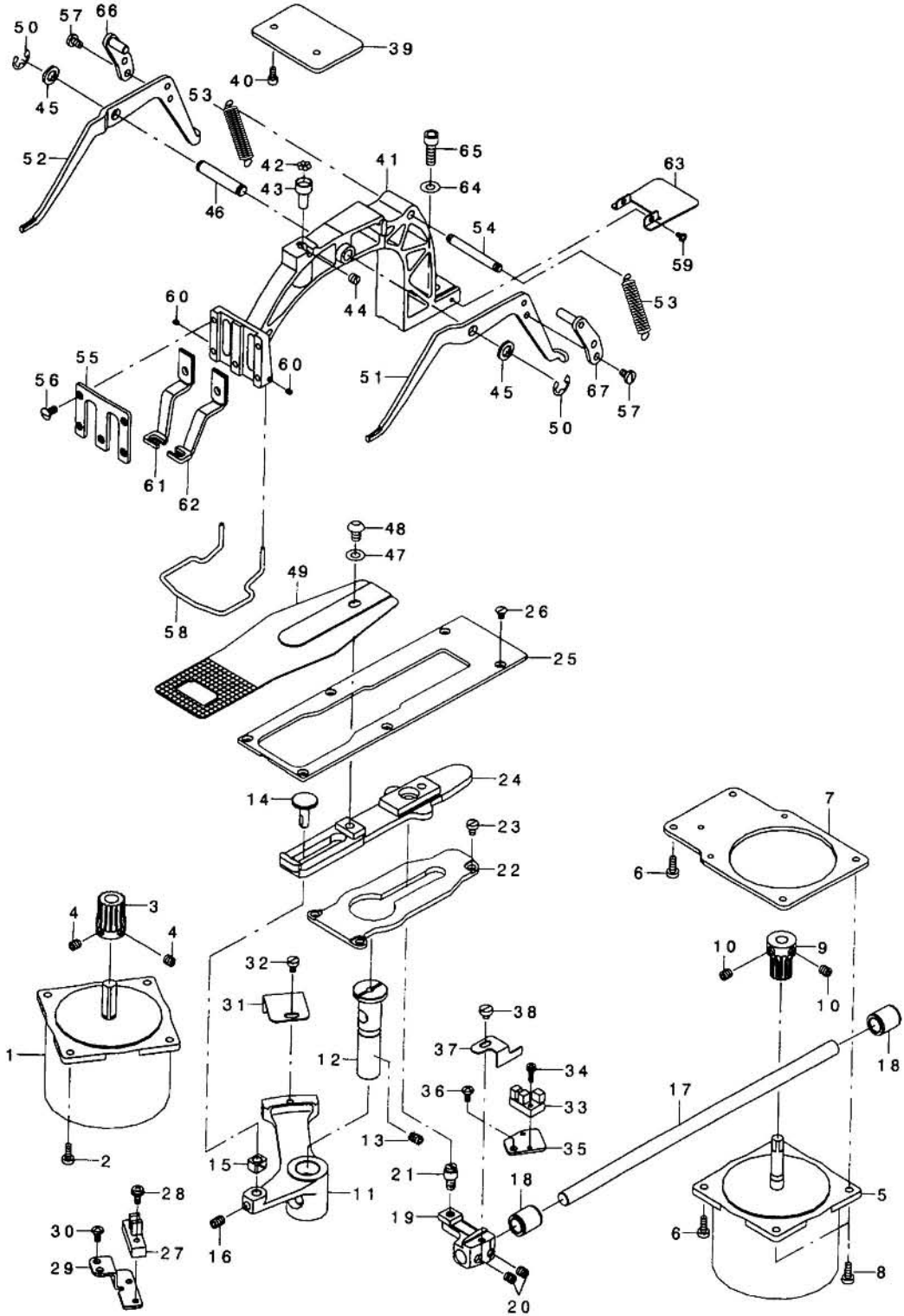
## 6、剪线部件THREAD TRIMMER MECHANISM COMPONENTS

序号 Ref.No.	件号 Part No.	名称	Description	数量 QTY
1	10024983	剪线电机	SHEAR-LINE MOTOR	1
2	10011644	螺钉	SCREW	4
3	10014347	剪线凸轮	TRIMMING CAM	1
4	10011232	螺钉	SCREW	2
5	10014289	抬压曲柄轴	THREAD TRIMMER SHAFT	1
6	10014339	剪线曲柄组件	THREAD TRIMMER LINK	1
7	10014344	螺钉	SCREW	1
8	10014342	销	PIN	1
9	10028245	销套	PIN SET	1
10	10014354	螺母	NUT	1
11	10003601	轴承	BEARING	1
12	10010741	垫圈	WASHER	1
13	10010668	螺钉	SCREW	2
14	10024630	剪线电机传感片组件	SENSOR SLIT ASM	1
15	10011518	螺钉	SCREW	2
16	10014350	剪线传感器安装板	SHEAR LINE SENSOR INSTALLATION SHEET	1
17	10008078	剪线拉杆	CONNECTING BAR	1
18	10010725	螺母	NUT	1
19	10011142	螺钉	SCREW	2
20	10008006	剪线拉杆接头	SHEAR-LINE ROD CONNECTOR	1
21	10010667	传感器螺钉组件	SENSOR SCREW COMPONENTS	1
22	10026622	传感器	SENSORS	1
23	10014298	针板组件	NEEDLE PATE ASM.	1
24	10004646	小针板	NEEDLE HOLE GUIDE	1
25	10011509	螺钉	SCREW	2
26	10008027	针板	NEEDLE PLATE	1
27	10011501	定刀	FIXING KNIFE	1
28	10011499	螺钉	SCREW	2
29	10011453	动刀连杆	MOVING KNIFE LINK	1
30	10011502	动刀杆销衬套	THREAD CUTTING LEVER RING	1
31	10010733	动刀曲柄分组件	THREAD CUTTER LEVER ASM., SMAL	1
32	10010737	动刀传动杆分组件	THREAD CUTTER LEVER ASM., LARG	1
33	10011503	螺钉	SCREW	1
34	10011506	垫圈	WASHER	1
35	10009906	螺钉	SCREW	1
36	10007183	垫圈	WASHER	1
37	10007361	垫圈	WASHER	1
38	10007362	垫圈	WASHER	1
39	10007363	垫圈	WASHER	1
40	10011513	动刀分组件	MOVING KNIFE ASM.	1
41	10011500	螺钉	SCREW	1
42	10011511	螺钉	SCREW	1
43	10011455	螺钉	SCREW	1



# 7.FEED MECHANISM COMPONENTS

## 送料部件



## 7、送料部件FEED MECHANISM COMPONENTS

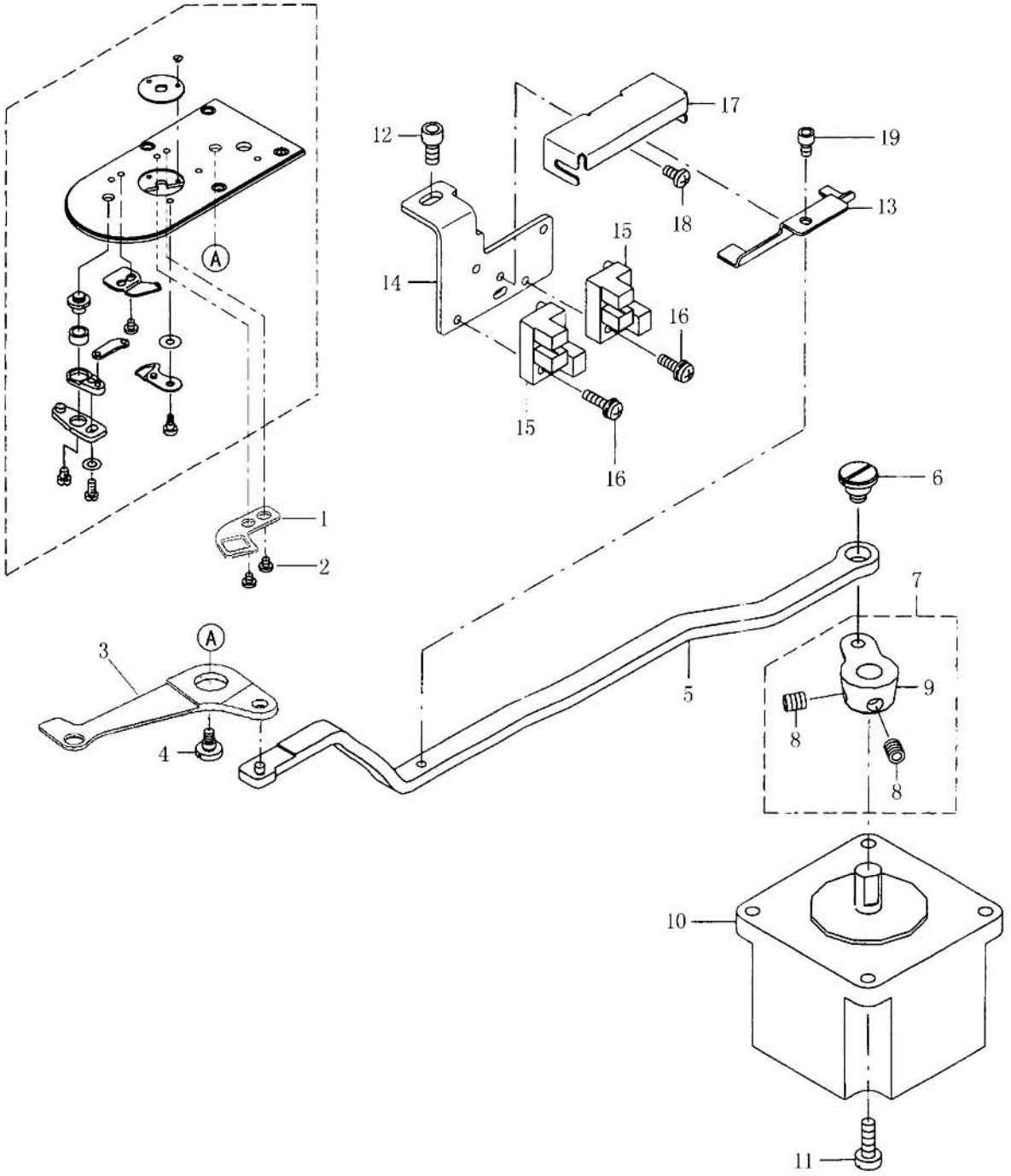
序号 Ref.No.	件号 Part No.	名称	Description	数量 QTY
1	10024984	X轴步进电机	X FEED STEPPING MOTOR	1
2	10000157	螺钉	SCREW	4
3	10011638	齿轮	GEAR	1
4	10011232	螺钉	SCREW	2
5	10024985	Y轴步进电机	Y FEED STEPPING MOTOR	1
6	10011644	螺钉	SCREW	2
7	10014358	Y轴步进电机安装板	Y-AXIS STEPPER MOTOR MOUNTING PLATE	1
8	10000157	螺钉	SCREW	4
9	10011640	齿轮	GEAR	1
10	10011232	螺钉	SCREW	2
11	10014318	齿轮	GEAR	1
12	10011573	X向铰轴	X HINGE AXIS	1
13	10010678	螺钉	SCREW	1
14	10011562	X向滑块轴	SLIDE BLOCK STUD	1
15	10011194	X向滑块	SQUARE BLOCK	1
16	10010678	螺钉	SCREW	1
17	10014326	Y向驱动轴	BUSHING, REAR	1
18	10011571	轴套	BUSHING, REAR	2
19	10011645	Y向驱动轴夹头	LENGTHWISE FEED ARM	1
20	10011642	螺钉	SCREW	2
21	10011568	螺钉	SCREW	1
22	10014325	送料托架支撑板	CLOTH FEED SUPPORT PLATE	1
23	10011142	螺钉	SCREW	3
24	10014321	送料托架	CLOTH FEED PLATE	1
25	10014322	盖板	CLOTH FEED PRESSER PLATE	1
26	10011566	螺钉	SCREW	6
27	10026623	X向传感器	PHOTO SENSOR	1
28	10010667	螺钉组件	SCREW COMPONENTS	1
29	10011592	X向传感器安装板	SENSOR INSTALLING BASE	1
30	10011570	螺钉	SCREW	2
31	10011517	X向传感片	CROSSFEED SENSOR SLIT	1
32	10011142	螺钉	SCREW	1
33	10026622	Y向传感器	PHOTO SINSOR	1
34	10010667	螺钉组件	SCREW COMPONENTS	1
35	10011572	Y向传感器安装板	SENSOR INSTALLING BASE	1
36	10011570	螺钉	SCREW	1
37	10011591	Y向传感片	LENGTHWISE FEED SENSOR SLIT	1
38	10011590	螺钉	SCREW	1
39	10014300	送料架支撑板	SUPPORT PLATE	1
40	10011559	螺钉	SCREW	2
41	10014357	送料架	FEED BRACKET	1
42	10011574	钢球	WORK CLAMP FOOT MONTING BASE	7
43	10011561	钢球座	BALL RETAINER	1
44	10011564	螺钉	SCREW	1
45	10014124	垫圈	WASHER	2
46	10011507	提升架轴	LIFTING LEVER SHAFT	1
47	10011646	垫圈	WASHER	1
48	10011569	螺钉	SCREW	1
49	10011565	送料板	FEED PLATE	1
50	10013582	挡圈	E-RING	2

### 7、送料部件FEED MECHANISM COMPONENTS

序号 Ref.No.	件号 Part No.	名 称	Description	数量 QTY
51	10011454	右压脚提升架	LIFTING LEVER, RIGHT	1
52	10011567	左压脚提升架	LIFTING LEVER, LEFT	1
53	10011558	弹簧	CLOTH PRESSER SPRING	2
54	10011456	拉簧支轴柱	SPRING SUSPENSION	1
55	10011557	压膜面板	WORK CLAMP FOOT FACE PLATE	1
56	10011150	螺钉	SCREW	5
57	10009906	螺钉	SCREW	4
58	10011556	护手圈	FINGER GUARDE	1
59	10011143	螺钉	SCREW	2
60	10003383	螺钉	SCREW	2
61	10011508	左压脚	WORK CLAMP FOOT, LEFT	1
62	10011505	右压脚	WORK CLAMP FOOT, RIGHT	1
63	10011359	送料架后拉板	HIDDEN PLATE	1
64	10011646	垫圈	WASHER	1
65	10010735	螺钉	SCREW	1
66	10024705	左压脚提升导板组件	LEVER DRIVING PLATE ASM.	1
67	10024706	右压脚提升导板组件	LEVER DRIVING PLATE ASM.	1

# 8.TC CLAMP COMPONENTS

## 夹线部件

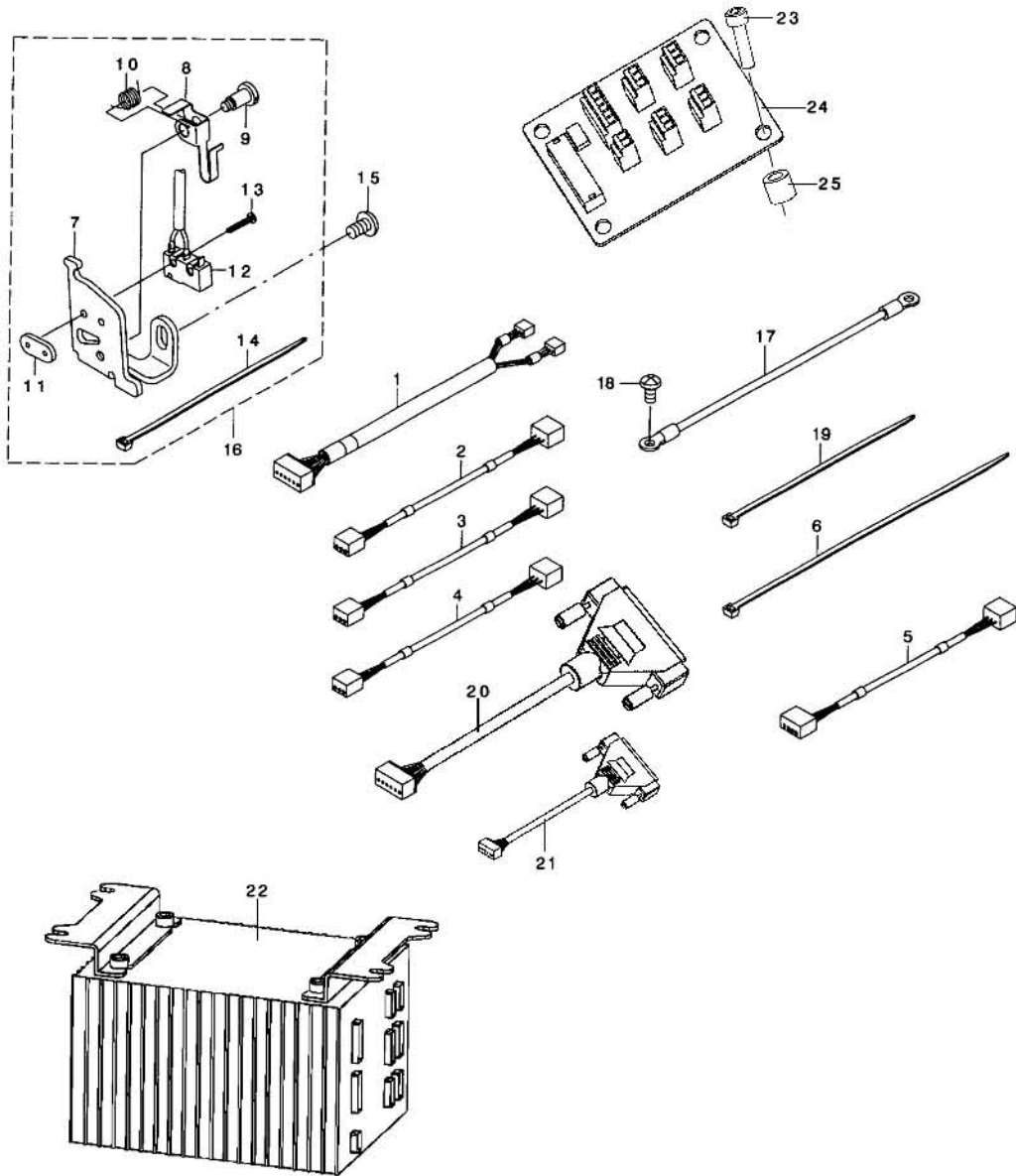


### 8、夹线部件TC CLAMP COMPONENTS

序号 Ref.No.	件号 Part No.	名 称	Description	数量 QTY
1	10014313	定夹头	FIX COLLET	1
2	10014328	螺钉	SCREW	2
3	10014307	动夹头	MOVE COLLET	1
4	10014305	螺钉	SCREW	1
5	10008019	夹线装置拉杆	TC CONNECTING LINK	1
6	10014312	螺钉	SCREW	1
7	20006928	夹持装置电机夹头组件	TC_DRIVING_ARM_ASM	1
8	10012162	螺钉	SCREW	2
9	10014308	夹持装置电机夹头	TC_DRIVING_ARM	1
10	10024986	夹持电机	THREAD CLAMP MOTOR	1
11	10012162	螺钉	SCREW	4
12	10010685	螺钉	SCREW	1
13	10014311	夹持装置传感片	SENSOR_SLIT	1
14	10014309	夹持装置传感器安装板	SENSOR INSTALLING BASE	1
15	10026622	夹持装置传感器	PHOTO SENSOR	2
16	10010667	螺钉	SCREW	2
17	10014306	夹持装置传感器防护罩	DUST_GUARD	1
18	10011357	螺钉	SCREW	1
19	10011143	螺钉	SCREW	1

# 9.SENSOR COMPONENTS

## 自动控制部件

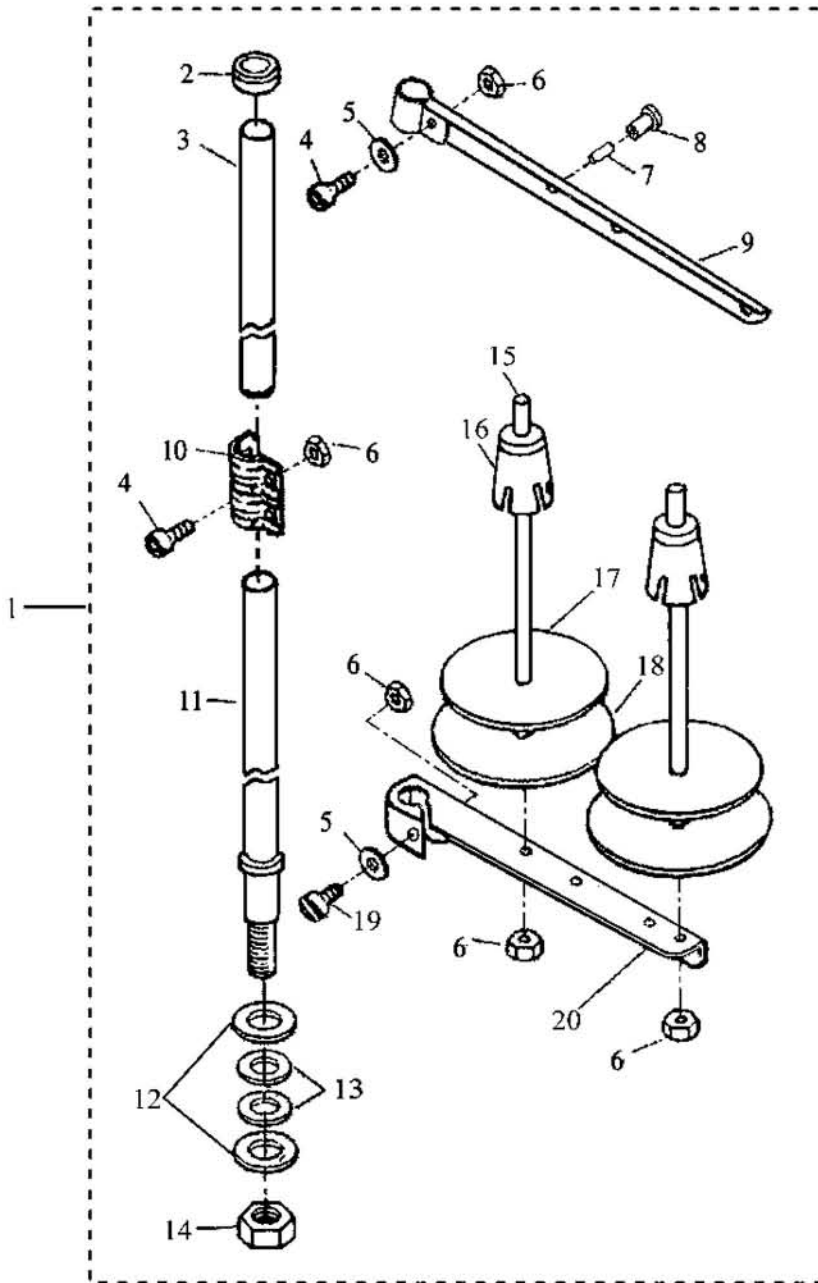


### 9、自动控制部件SENSOR COMPONENTS

序号 Ref.No.	件号 Part No.	名称	Description	数量 QTY
1	10024999	夹线传感线	TH SENSOR CABLE ASM	1
2	10024997	X向传感线	X SENSOR CABLE ASM	1
3	10024998	Y向传感线	Y SENSOR CABLE ASM	1
4	10024995	剪线传感线	PF SENSOR CABLE ASM	1
5	10024994	拾压传感线	TT SENSOR CABLE ASM	1
6		扎带		1
7	10014249	安全开关固定架	SAFETY SW BASE	1
8	10014253	安全开关拨片	SAFETY SWITCH ARM	1
9	10012612	保险开关支架轴	SAFETY SW ARM SHAFT	1
10	10008875	弹簧	SPRING	1
11	10005877	螺母	SAFETY SWITCH NUT	1
12	10024996	安全开关小组件	SAFETY SW CABLE ASM	1
13	10003045	螺钉	SCREW	2
14		扎带		1
15	10009456	螺钉	SCREW	1
16	20007527	安全开关组件 ZJ1900BSS	SAFETY SW ASM	1
17	10025000	接地线	HEAD GRUND CABLE A ASM	1
18	10010668	螺钉	SCREW	2
19		扎带		1
20	10024993	转接板信号线	THE SIGNAL OF TRANSFER PLANK	1
21	10025009	D型15P插头	D TYPE A PLUG	1
22	10024988	电控箱	THE ELECTRICITY CONTROLS BOX	1
23	10009103	螺钉	SCREW	4
24	10024991	机头转接板	THE MACHINE HEAD TRANSFERS PLANK	1
25	10024992	转接板支柱	THE TRANSFERS PLANK PILLAR	4

# 10.THREAD STAND COMPONENTS

线架部件



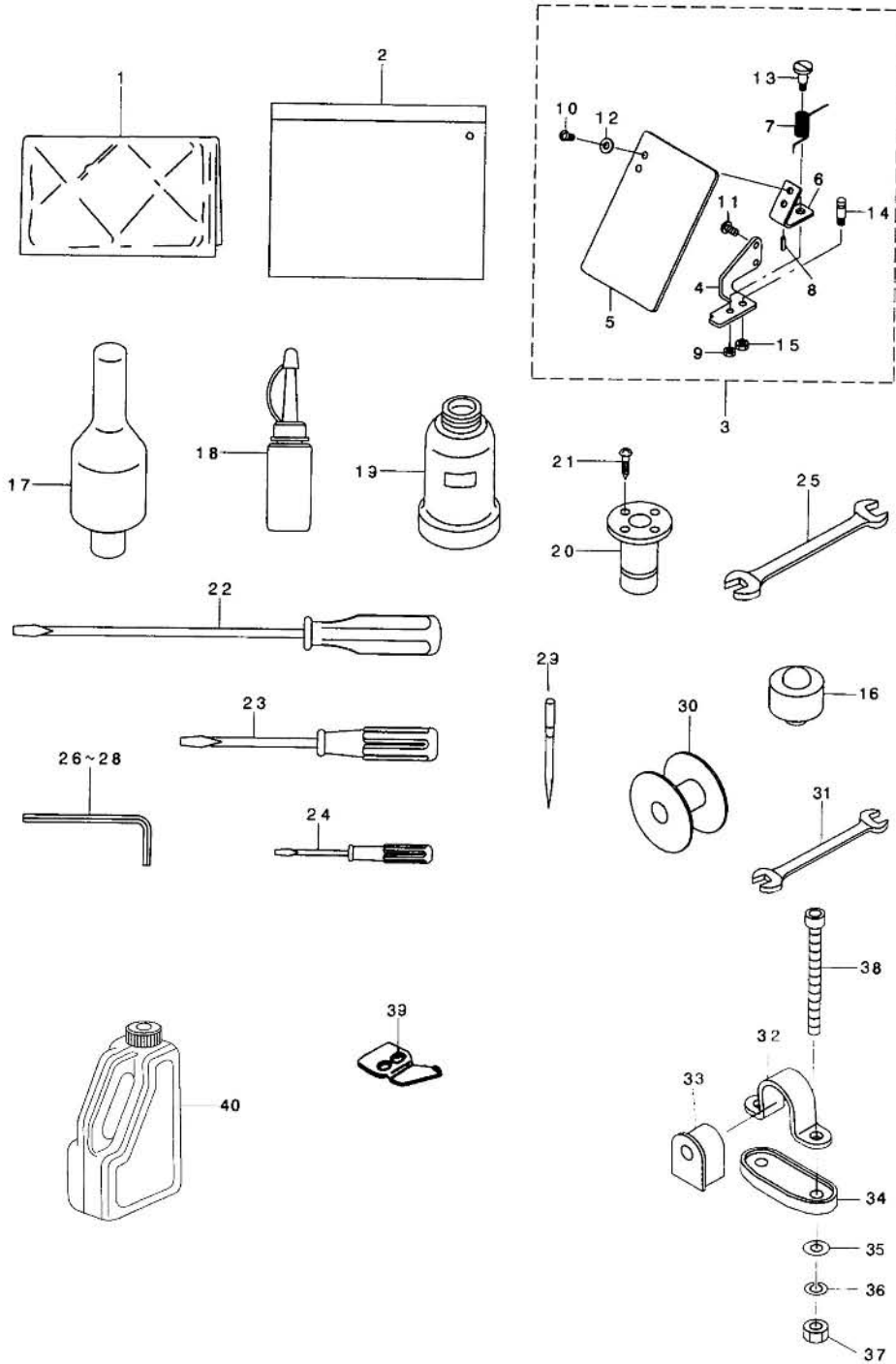


### 10、线架部件THREAD STAND COMPONENTS

序号 Ref.No.	件号 Part No.	名 称	Description	数量 QTY
1	10007130	二线架组件	THREAD STAND ASM	1
2	10004282	撑管套	COLUMN CAP	1
3	10004293	线架二撑管	COLUMN PIPE	1
4	10003301	上过线架螺钉	SCREW	2
5	10003022	上过线架垫圈	WASHER	2
6	10002953	上过线架螺母	NUT	5
7	10004289	过线管	THREAD GUIDE PIPE	2
8	10004285	过线管套	THREAD GUIDE BUSHING	2
9	10004298	上过线架	THREAD HANGER	1
10	10004286	撑管夹	COLUMN PIPE CONNECTOR	1
11	10004291	线架下撑管	COLUMN PIPE	1
12	10004295	线架下撑管垫圈	WASHER	2
13	10004290	垫圈	WASHER	2
14	10002985	下过线架螺母	NUT	1
15	10004288	线轴	SPOOL PIN	2
16	10004287	线盘塑料压块	SPOOL CUSHION	2
17	10004281	线盘软垫	SOFT CUSHION OF THREAD PLATE	2
18	10004299	线盘	THREAD PLATE	2
19	10003312	下过线架螺钉	SCREW	1
20	10004292	下过线架	THREAD HANGER	1

# 11.ACCESSORIE PART COMPONENTS

附件



## 11、附件ACCESSORIE PART COMPONENTS

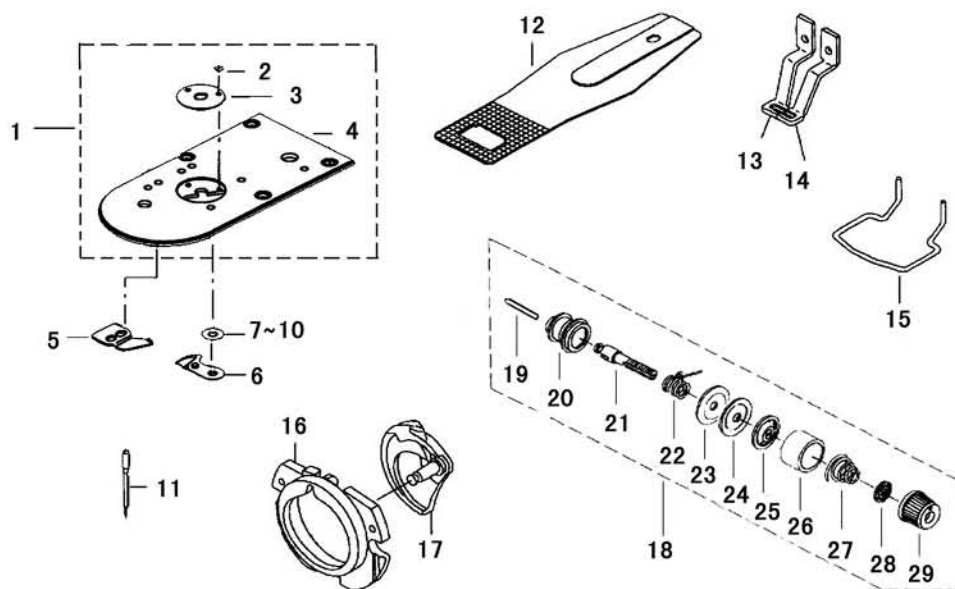
序号 Ref.No.	件号 Part No.	名称	Description	数量 QTY
1	10004724	机头罩	VINYL COVER	1
2	10004492	机头套	ACCESSORY BOX	1
3	20004358	眼睛防护罩组件	SAFETY PLATE ASM.	1
4	10011632	安全板座	SAFETY PLATE INSTALLING BASE	1
5	10011636	安全板	SAFETY PLATE	1
6	10004725	安全板架	SAFETY PLATE INSTALLING PLATE	1
7	10011678	弹簧	SPRING	1
8	10002880	销	PIN	1
9	10004507	螺母	NUT	1
10	10011570	螺钉	SCREW	2
11	10011570	螺钉	SCREW	2
12	10011680	垫圈	WASHER	2
13	10011677	螺钉轴	HINGE SCREW	1
14	10011633	销	PIN	1
15	10011682	螺母	NUT	1
16	10014250	机头支垫	FRAME_SUPPORT_RUBBER	2
17	10011749	机头支承杆	HEAD SUPPORT BAR	1
18	10005356	油壶	OILER	1
19	10011681	油杯	OIL CAN	1
20	10011683	油杯座	OIL MANAGEMENT	1
21	10003157	螺钉	SCREW	4
22	10010994	大螺丝刀	SCREW DRIVER LARGE	1
23	10010995	中螺丝刀	SCREW DRIVER MIDDLE	1
24	10013185	小螺丝刀	SCREW DRIVER SMALL	1
25	10003368	呆扳手	WRENCH	1
26	10009685	内六角扳手3	HEXAGONAL WRENCH SMALL	1
27	10009687	内六角扳手4	HEXAGONAL WRENCH LARGE	1
28	10009689	内六角扳手5	HEXAGONAL SPANNER	1
29	10023286	机针	NEEDLE	1
30	10004592	梭芯	BOBBIN	1
31	10003369	呆扳手	WRENCH	1
32	10011160	支撑固定架	BED HINGE	2
33	10011137	机头胶垫	HINGE RUBBER	2
34	10014251	机头胶垫底座	BED HINGE RUBBER	2
35	10003076	垫圈	WASHER	4
36	10011747	垫圈	WASHER	4
37	10003084	螺母	NUT	4
38	10011147	螺栓	SCREW	4
39	10011501	定刀	FIXING KNIFE	1
40	10004455	油箱	OIL BOX	1

## 12. 1900B SERIES PARTS

### 1900B 系列机零件

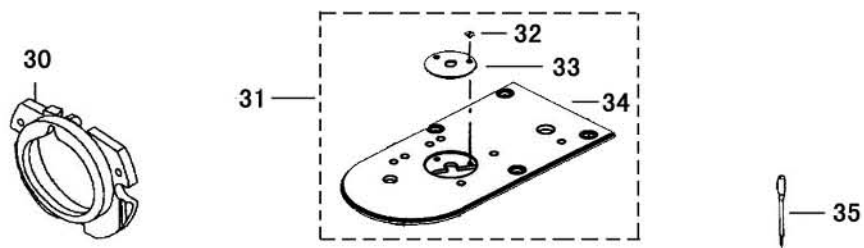
HEAVY MATERIAL (H)

1900BHS: 厚料



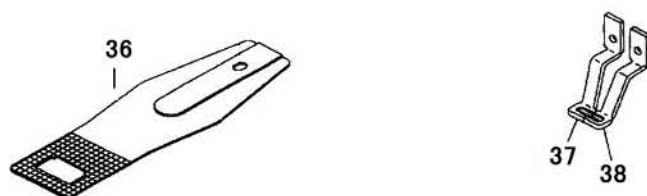
UNDERWARE (F) & KNITTING (M)

1900BFS: 内衣 与 1900BMS: 针织



KNITTING (M)

1900BMS: 针织

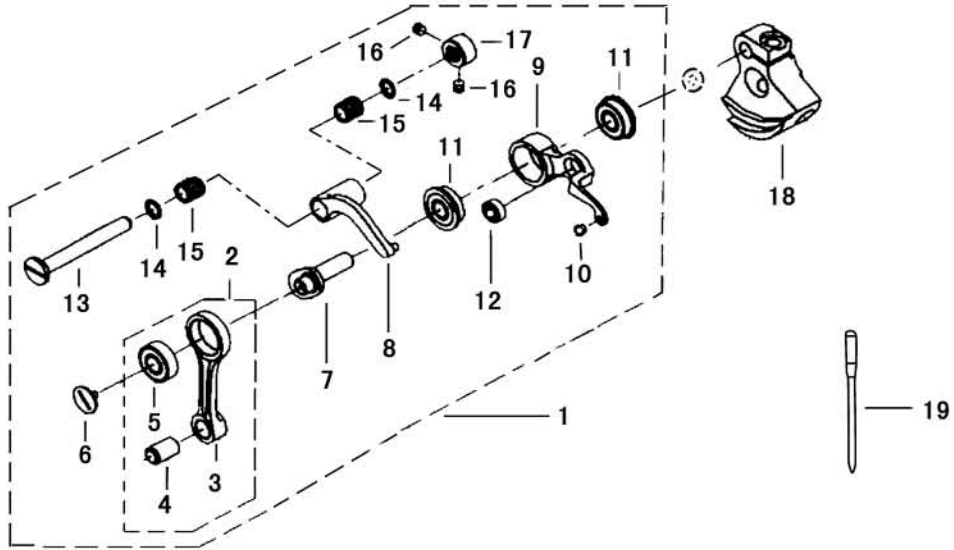


## 12、1900B系列机零件1900B SERIES PARTS

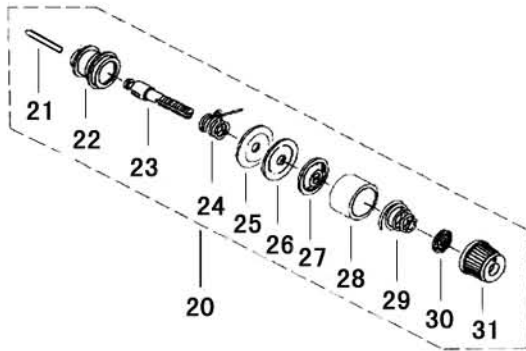
序号 Ref.No.	件号 Part No.	名 称	Description	数量 QTY
1	10024626	针板组件	NEEDLE PLATE ASM.	1
2	10011509	螺钉	SCREW	2
3	10004727	小针板	NEEDLE HOLE GUIDE	1
4	10008027	针板	NEEDLE PLATE	1
5	10011748	定刀	FIXING KNIFE	1
6	10011694	动力分组件	MOVING KNIFE ASM.	1
7	10007183	垫圈	WASHER	1
8	10007361	垫圈	WASHER	1
9	10007362	垫圈	WASHER	1
10	10007363	垫圈	WASHER	1
11	10004897	机针	NEEDLE DPX17(19#)	1
12	10011751	送料板	FEED PLATE	1
13	10011687	左压脚	WORK CLAMP FOOT, LEFT	1
14	10011691	右压脚	WORK CLAMP FOOT, RIGHT	1
15	10011695	护手圈	FINGER GUARDE	1
16	10011750	梭床盖组件	SHUTTLE BACE RING ASM.	1
17	10003834	旋梭	INNER HOOK	1
18	10024627	火线器组件	SECOND THREAD TENSION ASM.	1
19	10008026	松线钉	TENSION RELEASE PIN	1
20	10004631	火线器座	THREAD TENSION ROD, LARGE	1
21	10004612	螺钉	SCREW	1
22	10004730	弹簧	SPRING	1
23	10004393	夹线板	THREAD TENSION DISK	1
24	10004393	夹线板	THREAD TENSION DISK	1
25	10004625	松线板	THREAD TENSION DISK PRESSER	1
26	10004598	火线器座	THREAD TENSION DISK PRESSER	1
27	10011827	弹簧	SPRING	1
28	10004633	火线制动板	ROTATING STOPPER	1
29	10004783	夹线螺母	THREAD TENSION NUT	1
30	10011760	梭床盖组件	SHUTTLE BACE RING ASM.	1
31	10026087	针板组件	NEEDLE PLATE ASM.	1
32	10011509	螺钉	SCREW	2
33	10011757	小针板	NEEDLE HOLE GUIDE	1
34	10008027	针板	NEEDLE PLATE	1
35	10004857	机针	NEEDLE DPX5(11#)	1
36	10011755	送料板	FEED PLATE	1
37	10011758	左压脚	WORK CLAMP FOOT, LEFT	1
38	10011759	右压脚	WORK CLAMP FOOT, RIGHT	1

13. 1903B-301 PARTS 1  
1903B-301 零件 1

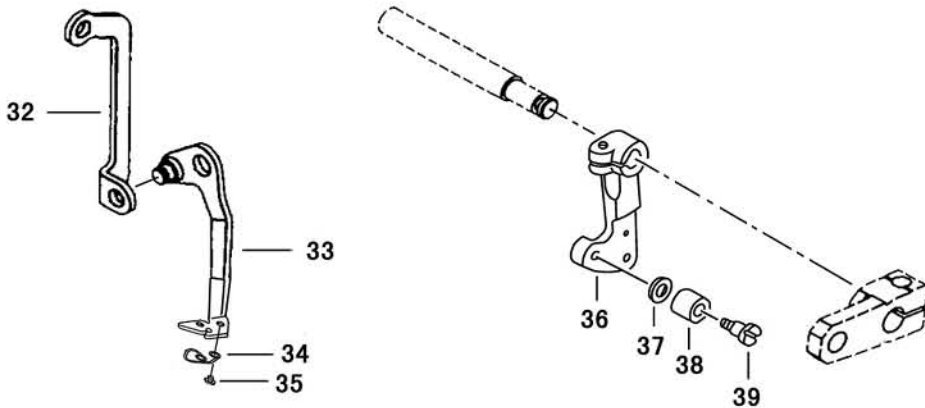
MAIM SHAFT & NEEDLE BAR COMPONENTS  
挑线刺布部件



TENSION RELEASE & THREAD TENSION COMPONENTS  
松线部件



WIPER MECHANISM COMPONENTS  
拨线部件

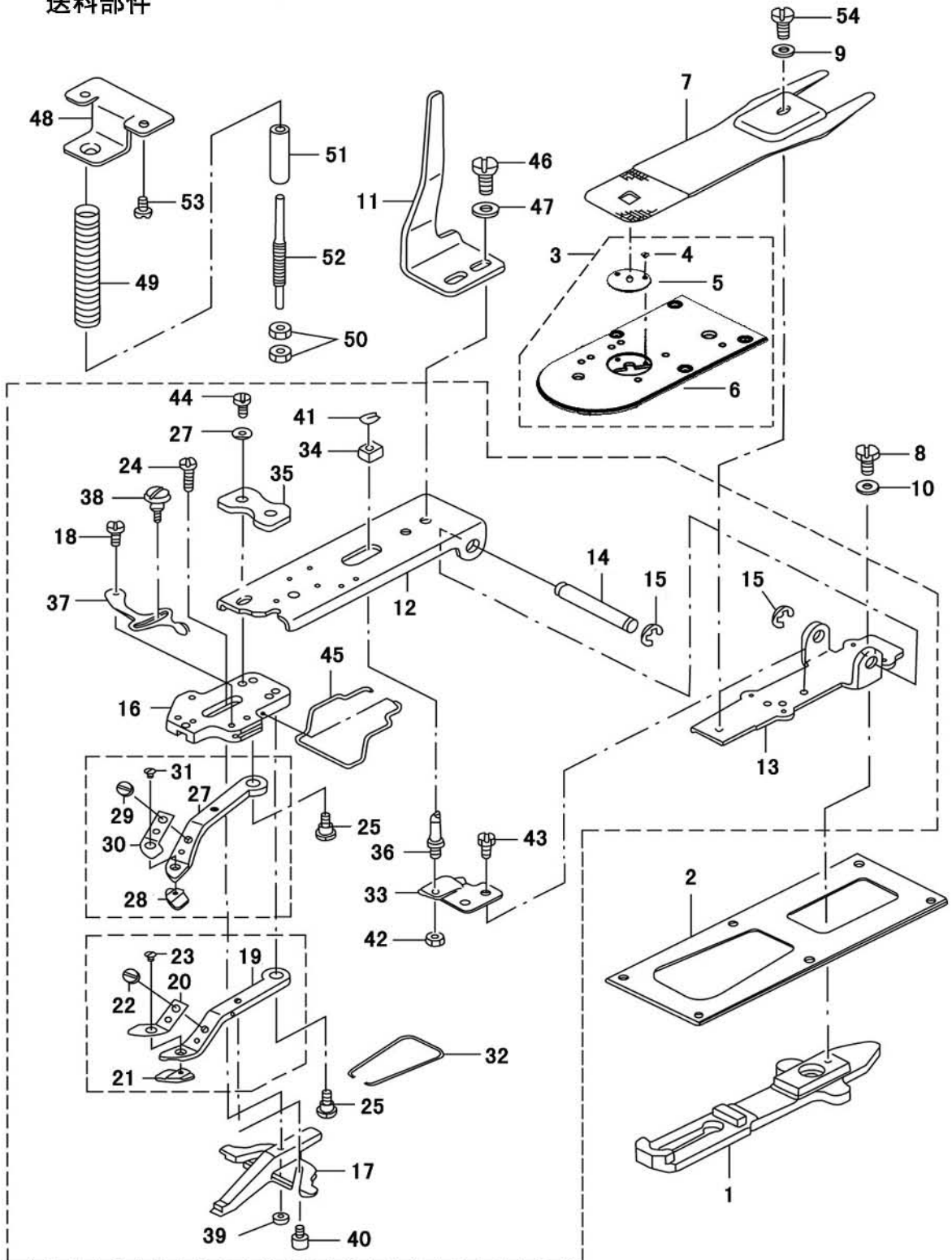


### 13、1903B-301零件1 1903B-301PARTS 1

序号 Ref.No.	件号 Part No.	名 称	Description	数量 QTY
1	10023935	挑线杆组件	THEAD TAKE-UP COMPL	1
2	10007983	针杆连杆组件	NEEDLE BAR CRANK ROD ASM.	1
3	10007986	针杆连杆	NEEDLE BAR CRANK ROD	1
4	10005793	针杆连杆轴套	NEEDLE BAR CRANK ROD METAL	1
5	10009777	轴承	BEARING	1
6	10010537	螺钉	SCREW	1
7	10023931	挑线曲柄	NEEDLE BAR CRANK	1
8	10007987	挑线连杆	THREAD TAKE UP CRANK	1
9	10023930	挑线杆	THREAD TAKE-UP LEVER	1
10	10004161	挑线杆过线套	THREED PASS BUSH	1
11	10009776	轴承	BEARING	2
12	10003529	轴承	BEARING	1
13	10007984	挑线杆铰链轴	BALANCE CRANK PIN	1
14	10005786	挡圈	THRUST COLLAR	2
15	10005747	轴承	BEARING	2
16	10004482	螺钉	SCREW	2
17	10005745	挡圈	THRUST COLLAR	1
18	10023932	针杆曲柄	COUNTER EIGHT	1
19	10023288	机针	NEEDLE	1
20	10024627	火线圈组件	TENSION CONTROLLER ASM	1
21	10008026	松线轴	TENSION RELEASE PIN	1
22	10004631	火线圈座	THREAD TENSION ROD, LARGE	1
23	10004612	螺钉	SCREW	1
24	10004730	弹簧	SPRING	1
25	10004393	夹线板	THREAD TENSION DISK	1
26	10004393	火线圈板	THREAD TENSION DISK	1
27	10004625	松线板	THREAD TENSION DISK PRESSER	1
28	10004598	火线圈座	THREAD TENSION DISK PRESSER	1
29	10011827	弹簧	SPRING	1
30	10004633	火线圈制动板	ROTATING STOPPER	1
31	10004783	夹线螺母	THREAD TENSION NUT	1
32	10023928	扫线拉杆	WIPER LINK	1
33	10023927	扫线杆组件	WIPER ASM.	1
34	10011706	弹簧	SPRING	1
35	10011714	螺钉	SCREW	2
36	10023925	拔线曲柄	CONNECTING ARM	1
37	10011720	垫圈	WASHER	1
38	10011721	拔线曲柄滚子	STOP MOTION TRIPPING LEVER CA	1
39	10011707	螺钉	SCREW	1

14. 1903B-301 PARTS 2  
1903B-301 零件 2

FEED MECHANISM COMPONENTS  
送料部件





14、1903B-301零件2 1903B-301PARTS 2

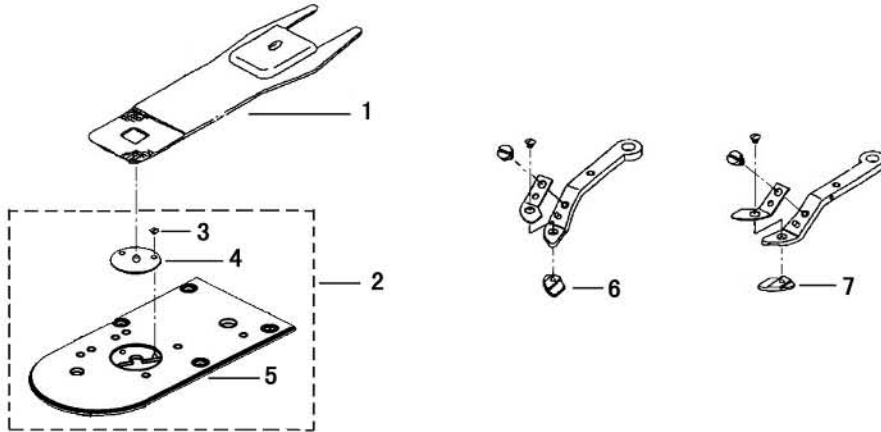
序号 Ref.No.	件号 Part No.	名 称	Description	数量 QTY
1	10023929	送料托架	CLOTH FEED PLATE	1
2	10023933	盖板	FEED PLATE PRESSER	1
3	10026088	针板组作	NEEDLE PLATE ASM.	1
4	10011509	螺钉	SCREW	2
5	10011133	小针板	NEEDLE HOLE GUIDE	1
6	10008027	针板	NEEDLE PLATE	1
7	10011844	送料板	PRESSURE PLATE	1
8	10011824	螺钉	SCREW	1
9	10011820	垫圈	WASHER	1
10	10011646	垫圈	WASHER	1
11	10011764	抬压挡板	MOVING PLATE	1
12	10004776	抬压挡板座	PICK-UP FOOT INSTALLING BASE	1
13	10011829	送料板座	PICK-UP INSTALLING BASE	1
14	10011823	压膝导板轴	INSTALLING SHAFT	1
15	10003273	挡圈	RING	2
16	10011768	压膝连接座	PICK UP FOOT INSTALLING BASE	1
17	10011529	压膝导座	BUTTON CLAMP SLIDE	1
18	10011534	螺钉	HINGE SCREW	1
19	10011520	右压脚座	SMALL CLAMP JAW LEVER ASM. L	1
20	10011535	纽扣右定位板	SPRING, RIGHT	1
21	10011523	右压脚	PLATE K, R	1
22	10011525	螺钉	SCREW	1
23	10011537	螺钉	SCREW	1
24	10011818	螺钉	SCREW	1
25	10011539	螺钉	SCREW	2
26	10011820	垫圈	WASHER	2
27	10011532	左压脚座	SMALL CLAMP JAW LEVER ,L	1
28	10011538	左压脚	PLATE K, L	1
29	10011525	螺钉	SCREW	1
30	10011540	纽扣左定位板	SPRING, LEFT	1
31	10011537	螺钉	SCREW	1
32	10011536	弹簧	SPRING	1
33	10011830	压膝导块座	SUPPORT PLATE	1
34	10011765	压膝导块	SLIDE BLOCK	1
35	10011761	抬压挡板座压板	PRESSER PLATE	1
36	10011826	压膝导块轴	STATIONING BLOCK SHAFT	1
37	10011524	压膝调节扳手	SNAP FASTENER CLAMP STOP LEVER	1
38	10013564	螺钉	SCREW	1
39	10011522	螺母	NUT	1
40	10011521	压膝座导向柱	BUTTON CLAMP STOP PIN	2
41	10011822	挡圈	SNAP RING	1
42	10011769	螺母	NUT	1
43	10011831	螺钉	SCREW	2
44	10011766	螺钉	SCREW	2
45	10011527	手指保护器	FINGER GUARD	1
46	10011828	螺钉	SCREW	2
47	10011821	垫圈	WASHER	2
48	10023934	压膝导杆导板	ACCEPT PLATE, UPPER	1
49	10011593	弹簧	SPRING	1
50	10011526	螺母	THREAD TENSION NUT	2
51	10011528	压膝导杆套	SLEEVE	1
52	10011519	压膝导杆	ADJUSTING SHAFT	1
53	10010074	螺钉	SCREW	2
54	10011832	螺钉	SCREW	1

15. 1903B SERIES PARTS 1

1903B 系列机零件 1

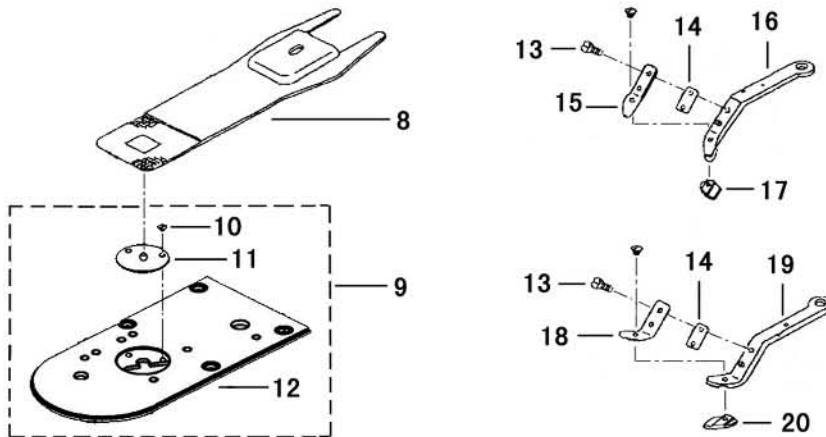
1903B-302: BUTTON CLAMP COMPL. FOR MEDIUM-SIZED BUTTONS

1903B-302: 中纽扣用



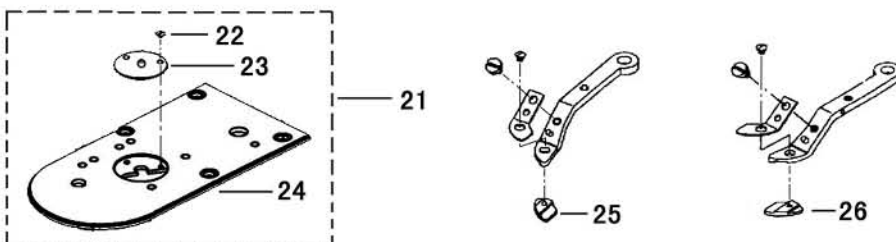
1903B-303: BUTTON CLAMP COMPL. FOR LARGE-SIZED BUTTONS

1903B-303: 大纽扣用



1903B-304: BUTTON CLAMP COMPL. FOR VERY SMALL-SIZED BUTTONS

1903B-304: 极小纽扣用



15、1903B系列机零件1 1903B SERIES PARTS 1

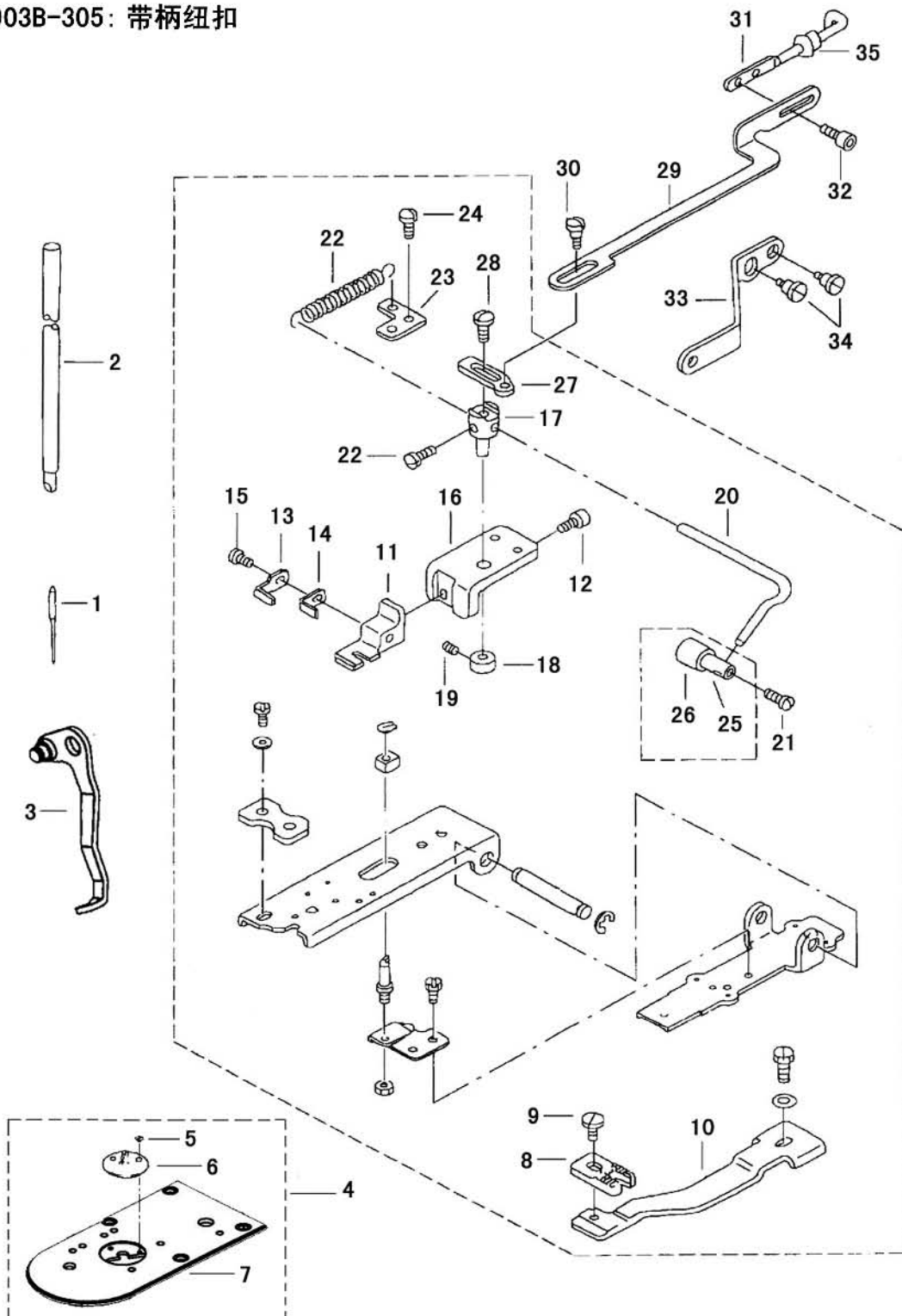
序号 Ref.No.	件号 Part No.	名 称	Description	数量 QTY
1	10011844	送料板	FEED PLATEA	1
2	10026088	针板组件	NEEDLE PLATE ASM.	1
3	10011509	螺钉	SCREW	2
4	10011133	小针板	NEEDLE HOLE GUIDE	1
5	10008027	针板	NEEDLE PLATE	1
6	10011841	左压脚	WORK CLAMP FOOT, LEFT	1
7	10011867	右压脚	WORK CLAMP FOOT, RIGHT	1
8	10011872	送料板	FEED PLATEA	1
9	10026089	针板组件	NEEDLE PLATE ASM.	1
10	10011509	螺钉	SCREW	2
11	10011838	小针板	NEEDLE HOLE GUIDE	1
12	10008027	针板	NEEDLE PLATE	1
13	10009062	螺钉	SCREW	2
14	10011875	纽扣定位板垫	SPACER	2
15	10011873	纽扣左定位板	SPRING, LEFT	1
16	10011833	左压脚座	SMALL CLAMP JAW LEVER ASM. L	1
17	10011837	左压脚	WORK CLAMP FOOT, LEFT	1
18	10011876	纽扣右定位板	SPRING, RIGHT	1
19	10011839	右压脚座	SMALL CLAMP JAW LEVER ASM. R	1
20	10011840	右压脚	WORK CLAMP FOOT, RIGHT	1
21	10026090	针板组件	NEEDLE PLATE ASM.	1
22	10011509	螺钉	SCREW	2
23	10011836	小针板	NEEDLE HOLE GUIDE	1
24	10008027	针板	NEEDLE PLATE	1
25	10011538	左压脚	WORK CLAMP FOOT, LEFT	1
26	10011523	右压脚	WORK CLAMP FOOT, RIGHT	1

# 16. 1903B SERIES PARTS 2

## 1903B 系列机零件 2

1903B-305: SHANK BUTTON CLAMP MECHANISM COMPONENTS

1903B-305: 带柄纽扣



## 16、1903B系列机零件2 1903B SERIES PARTS 2

序号 Ref.No.	件号 Part No.	名 称	Description	数量 QTY
1	10003636	机针	NEEDLE	1
2	10029150	针杆	NEEDLE BAR	1
3	10029151	扫线杆组件	WIPER ASM.	1
4	10026091	针板组件	NEEDLE PLATE ASM.	1
5	10011509	螺钉	SCREW	2
6	10011842	小针板	NEEDLE HOLE GUIDE	1
7	10008027	针板	NEEDLE PLATE	1
8	10004777	送料牙	FEED PLATE, A	1
9	10011425	螺钉	SCREW	2
10	10011869	送料牙座	FEED PLATE	2
11	10011868	送料块	BUTTON CLAMP BASE	1
12	10003382	螺钉	SCREW	1
13	10011835	长定位板	BUTTON CLAMP SUPPORT, FRONT	1
14	10011874	短定位板	BUTTON CLAMP SUPPORT, REAR	1
15	10013543	螺钉	SCREW	1
16	10011870	送料块座	BUTTON CLAMP BASE	1
17	10011785	旋转轴块	BUTTON SUPPORT LEVER SHAFT	1
18	10011775	旋转轴块挡圈	THRUST COLLAR	1
19	10004988	螺钉	SCREW	1
20	10011790	定位杆	BUTTON SUPPORT LEVER	1
21	10010074	螺钉	SCREW	1
22	10011789	弹簧	SPRING	1
23	10011776	复位簧固定板	LEVER SPRING HOOK	1
24	10010074	螺钉	SCREW	2
25	10011786	纽扣定位块	SHANK BUTTON HOLDING CLAMP	1
26	10011772	纽扣定位块塞	BUTTON SUPPORT RUBBER	1
27	10011779	调节板	BUTTON SUPPORT RELEASE LEVER	1
28	10010074	螺钉	SCREW	1
29	10011771	拉板	BUTTON SUPPORT LINK	1
30	10011788	螺钉	SCREW	2
31	10011783	拉杆	MOVING PLATE LINK	1
32	10010685	螺钉	SCREW	2
33	10011784	拉杆驱动板	CONNECTING LINK	1
34	10011787	螺钉	SCREW	2
35	10011777	橡皮塞	BUSHING	1